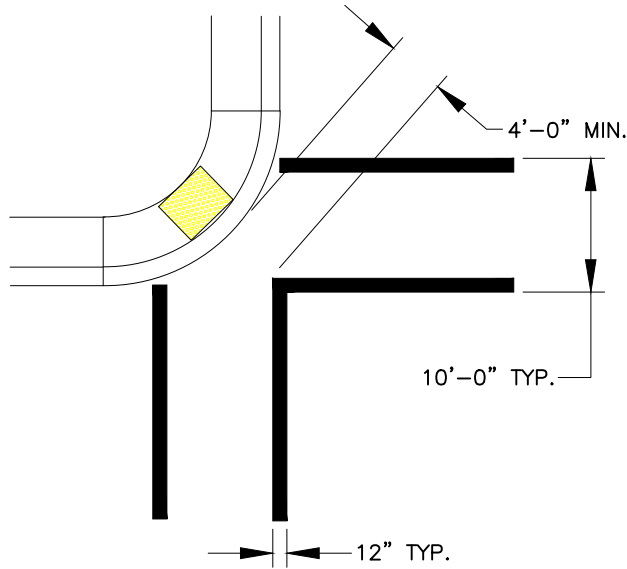
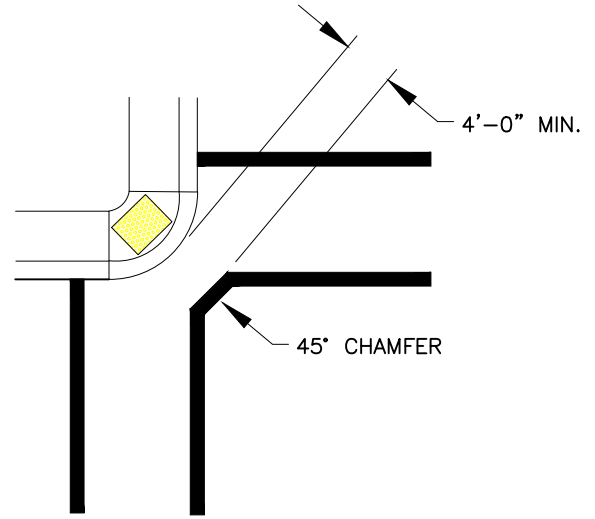


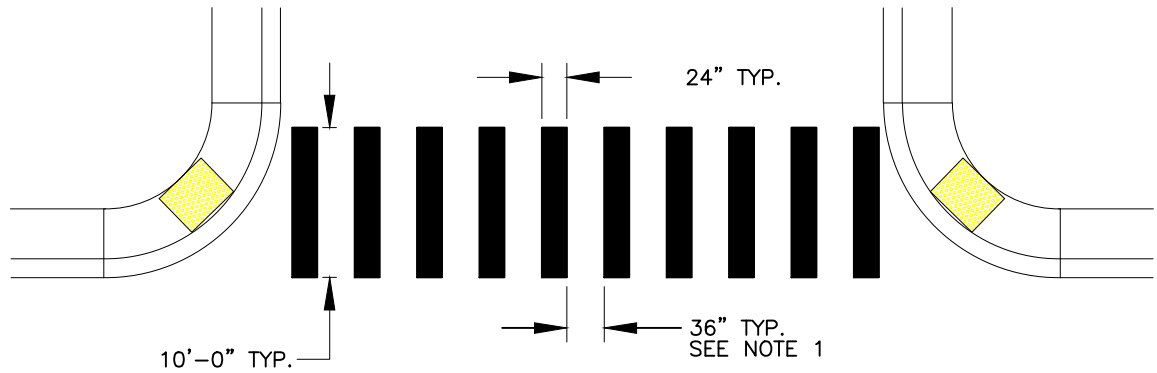
LARGE RADIUS CORNERS STANDARD CROSSWALK



SMALL RADIUS CORNERS STANDARD CROSSWALK



HIGH VISIBILITY & MID BLOCK CROSSINGS CONTINENTAL CROSSWALK



NOTES:

1. 36" SPACE MAY BE MODIFIED TO ACCOMMODATE VEHICLE WHEEL PATHS UPON APPROVAL
2. ALL CROSSWALK MARKINGS TO BE CAT TRACKED AND APPROVED BY THE CITY PRIOR TO THERMOPLASTIC APPLICATION
3. CONTINENTAL CROSSWALK MARKINGS SHALL BE PARALLEL WITH CENTER LINE OF THE ROADWAY
4. ALL CROSSWALK MARKINGS TO BE WHITE. INTERSECTIONS WITHIN 600' OF SCHOOLS TO BE YELLOW - PER CHAPTER 7 OF CA MUTCD



City of San Bruno
Standard Detail

PEDESTRIAN CROSSWALK

DocuSigned by:
CITY ENGINEER:
Hae Won Ritchie

APPROVED: HAE WON RITCHIE R.C.E. C69532

DATE: AUG 2025

DRAWN BY: JMH

ST-10

DETAIL NO: