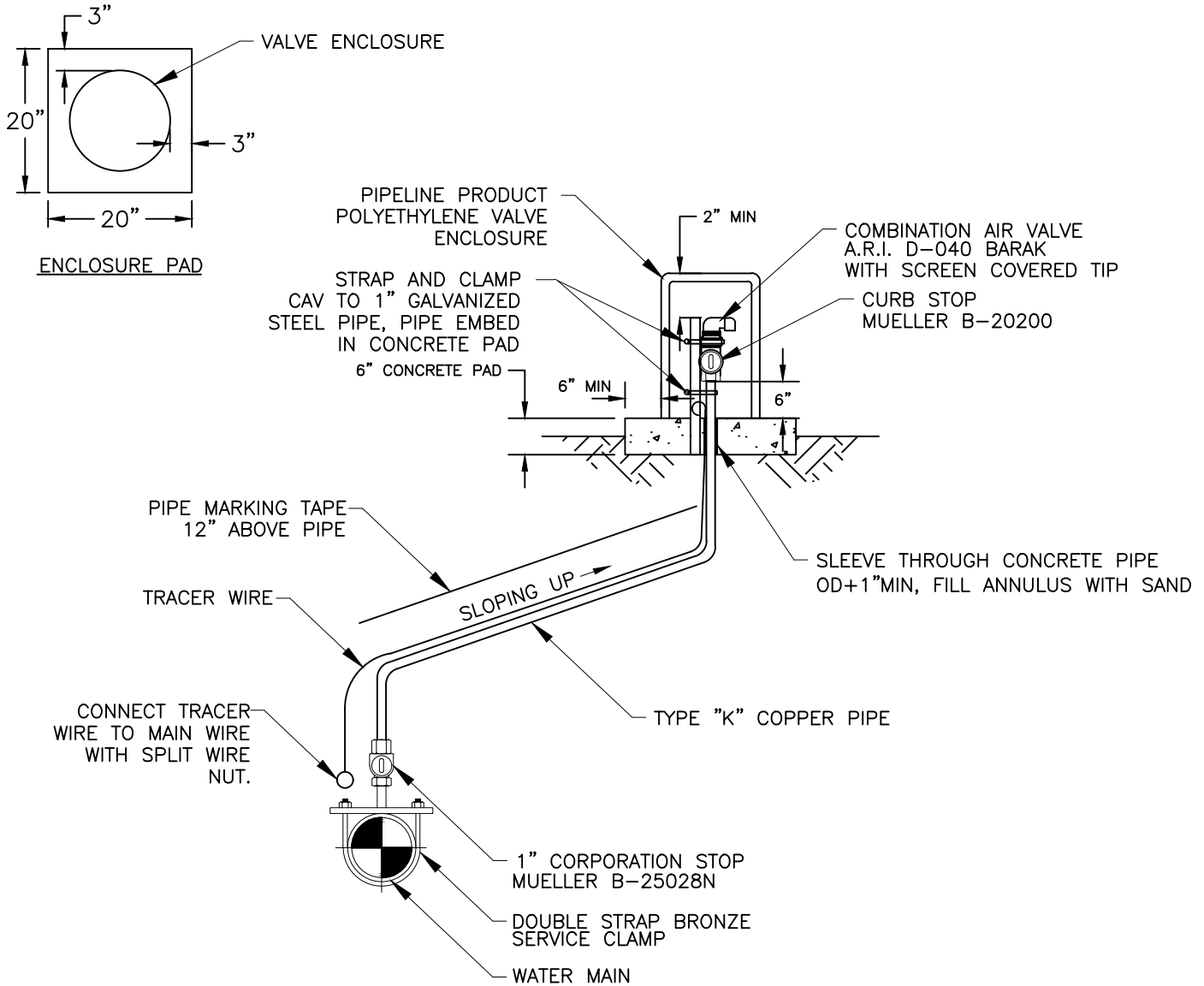


COMBINATION AIR VALVE SIZE TABLE				
WATER MAIN SIZE	CAV SIZE	CURB STOP SIZE	ENCLOSURE SIZE	PAD SIZE
SMALLER THAN 12"Ø	1" CAV	1"	24"H x 14"DIA	20" x 20"
12"Ø OR LARGER	2" CAV	2"	24"H x 14"DIA	20" x 20"



**NOTES**

1. ALL FITTINGS AND NIPPLES TO BE BRASS OR COPPER.
2. CAV LOCATIONS SHOWN ON PLAN ARE APPROXIMATE. ALL CAV ASSEMBLIES SHALL BE LOCATED OUTSIDE OF TRAFFIC AREAS INCLUDING STREETS, DRIVEWAYS AND SIDEWALKS. FINAL LOCATIONS SHALL BE APPROVED BY ENGINEER PRIOR TO CONSTRUCTION.
3. COAT SERVICE CLAMP AND CORPORATION STOP WITH BITUMASTIC.
4. ALL COMPONENTS TO BE LEAD FREE CONDUCTIVE CONNECTIONS.
5. COPPER PIPE SHALL BE ONE CONTINUOUS PIPE WITH NO ELBOWS OR JOINTS.
6. EXTEND TRACER WIRE AT LEAST 2' ABOVE BASE OF ENCLOSURE



*City of San Bruno*  
Standard Detail

**COMBINATION AIR VALVE**

DATE: JAN. 2026

DRAWN BY: DA

CITY ENGINEER:

DocuSigned by:

*Hae Won Ritchie*

APPROVED BY:

D409F278D35040A  
HAE WON RITCHIE

R.C.E. C69532

**W-10**

DETAIL NO: