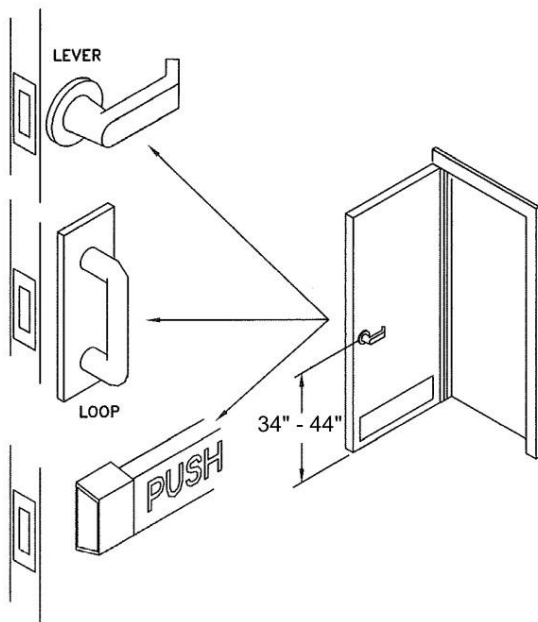




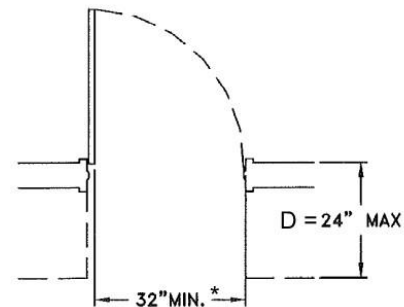
2022 CALIFORNIA BUILDING CODE - SECTION 11B-404 GENERAL REQUIREMENTS FOR DOORS AND LANDINGS

❖ GENERAL

- a. Revolving doors, gates and turnstiles shall not be part of an accessible route.
- b. **Width:** 32" clear min. (Opening more than 24" deep shall be 36" clear min.)
- c. **Thresholds:** ½" max height
- d. **Hardware:**
 - Operable parts shall be operable with one hand and shall not require tight grasping, pinching or twisting of wrist.
 - Located 34" – 44" above finish floor
- e. **Opening Force:**
 - Interior and exterior hinged doors, sliding, or folding doors: 5 lb. max.
 - Fire doors: 15 lb. max.
- f. **Kick Plate:** Bottom 10" high smooth surface on the push side of door or gate.

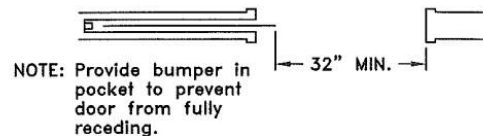


DOOR HARDWARE AND MOUNTING HEIGHT



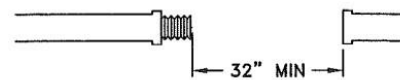
NOTE: DOOR CLEAR WIDTH SHALL BE 36" MIN WHEN $D > 24"$

HINGED DOOR



NOTE: Provide bumper in pocket to prevent door from fully receding.

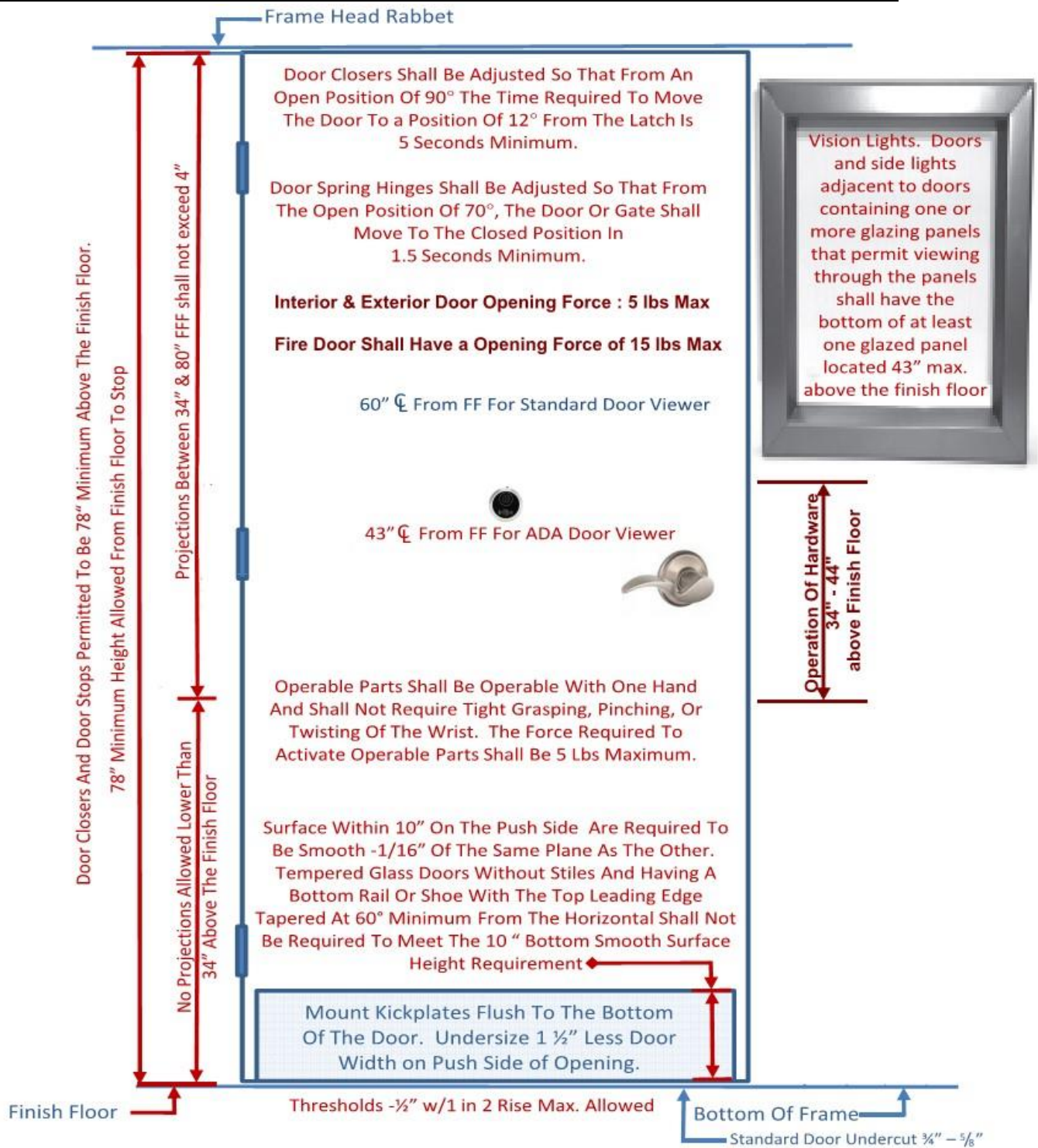
SLIDING DOOR



FOLDING DOOR

MINIMUM DOOR CLEAR WIDTH

❖ TYPICAL LOCATION AND INFORMATION FOR DOOR HARDWARE

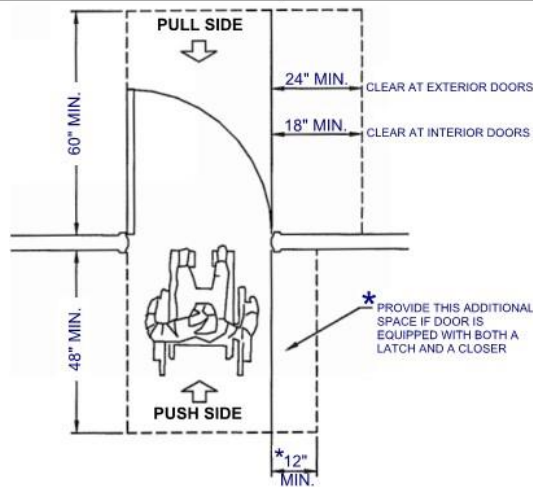


❖ MANEUVERING CLEARANCE AT SWINGING DOORS AND GATES

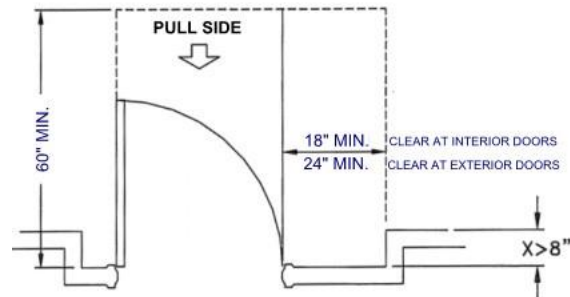
TABLE 11B-404.2.4.1
MANEUVERING CLEARANCES AT MANUAL SWINGING DOORS AND GATES

TYPE OF USE		MINIMUM MANEUVERING CLEARANCE	
Approach direction	Door or gate side	Perpendicular to doorway	Parallel to doorway (beyond latch side unless noted)
From front	Pull	60 inches (1524 mm)	18 inches (457 mm) ⁵
From front	Push	48 inches (1219 mm)	0 inches (0 mm) ¹
From hinge side	Pull	60 inches (1524 mm)	36 inches (914 mm)
From hinge side	Push	44 inches (1118 mm) ²	22 inches (559 mm) ³
From latch side	Pull	60 inches (1524 mm)	24 inches (610 mm)
From latch side	Push	44 inches (1118 mm) ⁴	24 inches (610 mm)

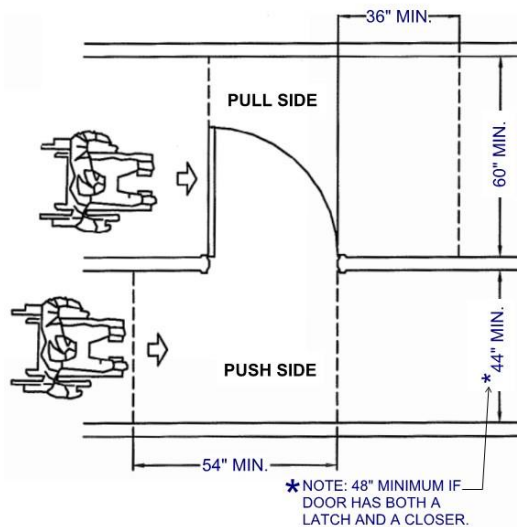
- NOTE:**
1. Add 12 inches (305 mm) if closer and latch are provided.
 2. Add 4 inches (102 mm) if closer and latch are provided.
 3. Beyond hinge side.
 4. Add 4 inches (102 mm) if closer is provided.
 5. Add 6 inches (152 mm) at exterior side of exterior doors.



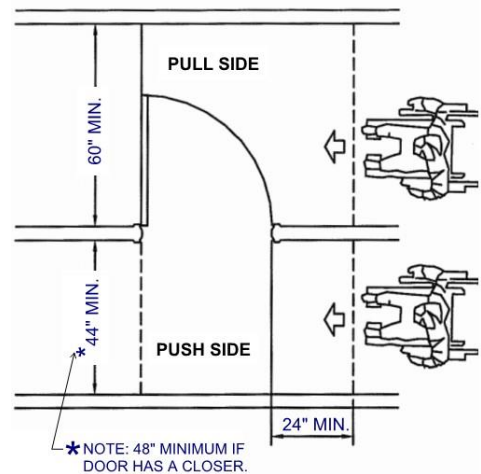
FRONT APPROACH



DOOR LOCATED IN A RECESS OR ALCOVE



HINGE APPROACH



LATCH APPROACH

❖ MANEUVERING CLEARANCE AT DOORWAY WITHOUT DOORS OR GATES. MANUAL SLIDING DOORS AND MANUAL FOLDING DOORS

TABLE 11B-404.2.4.2
MANEUVERING CLEARANCES AT DOORWAYS WITHOUT DOORS OR GATES, MANUAL SLIDING DOORS, AND MANUAL FOLDING DOORS

Approach direction	MINIMUM MANEUVERING CLEARANCE	
	Perpendicular to doorway	Parallel to doorway (beyond stop/latch side unless noted)
From front	48 inches (1219 mm)	0 inches (0 mm)
From side ¹	42 inches (1067 mm)	0 inches (0 mm)
From pocket/hinge side	42 inches (1067 mm)	22 inches (559 mm) ²
From stop/latch side	42 inches (1067 mm)	24 inches (610 mm)

1. Doorway with no door only.
2. Beyond pocket/hinge side.

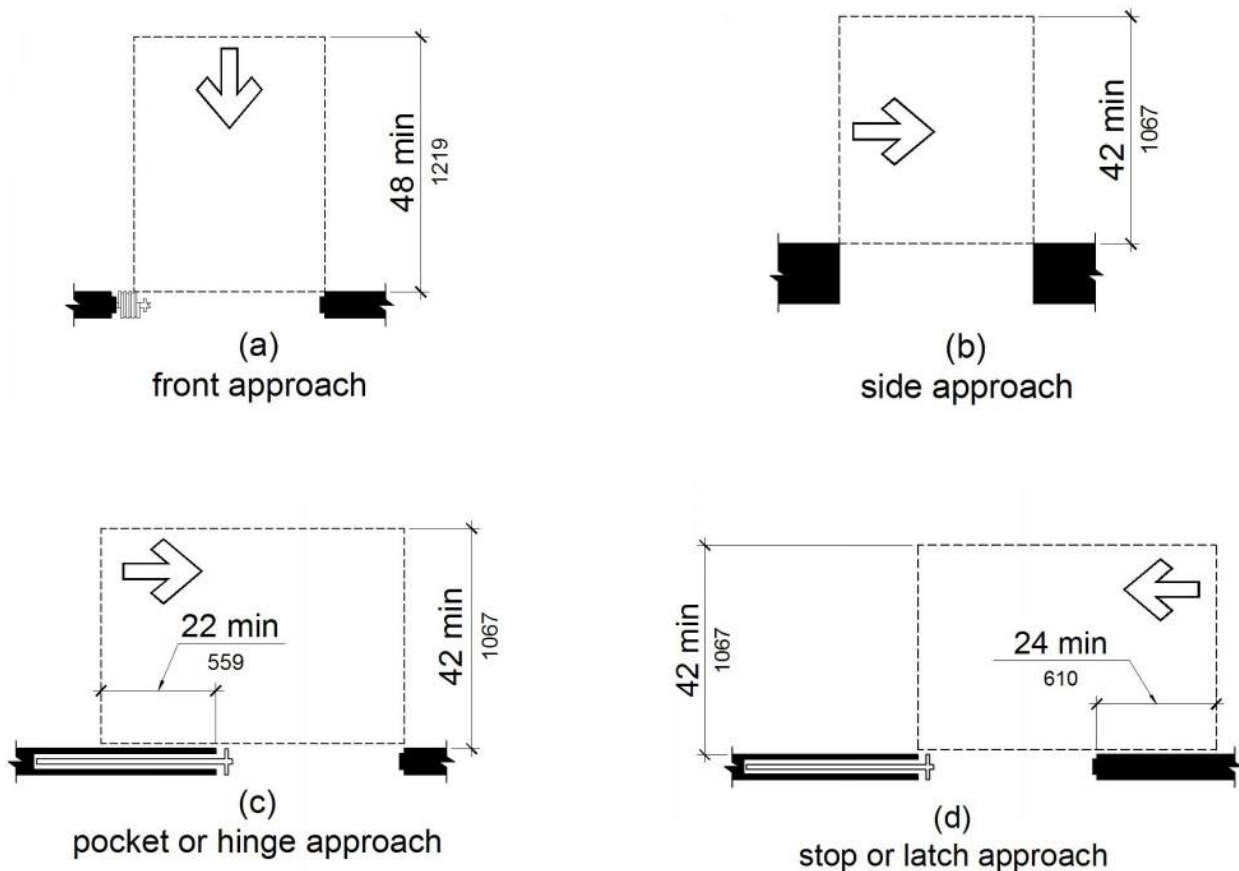
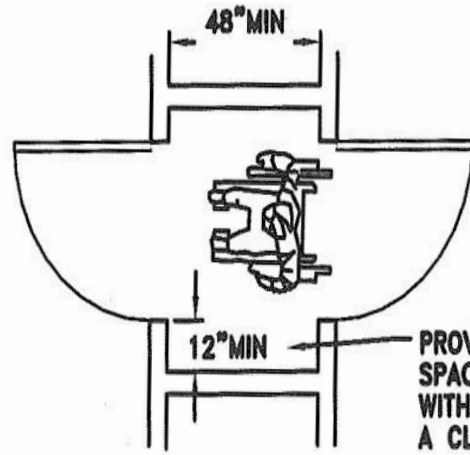
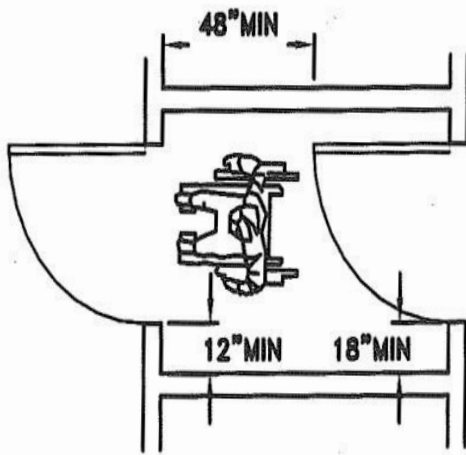


FIGURE 11B-404.2.4.2
MANEUVERING CLEARANCES AT DOORWAYS WITHOUT DOORS, SLIDING DOORS, GATES, AND FOLDING DOORS

❖ DOORS IN SERIES (CBC 11B-404.2.6)

Distance between two hinged or pivoted doors in series shall be 48" minimum plus the width of door swinging into the space.



PROVIDE THIS ADDITIONAL SPACE IF DOOR IS EQUIPPED WITH BOTH A LATCH AND A CLOSER

- a. **Control:** Sensing devices, push plates or vertical actuation bars shall be placed on both the interior and exterior sides of the doors (CBC 11B-404.2.9 Exception C).
- b. **Height of Push Plate:** **Two push plates shall be provided at each location.**
 - Low Push Plate: centerline of plate shall be 7"-8" AFF
 - High Push Plate: centerline of plate shall be 30"-44" AFF
- c. **Size of Push Plate:** 4" diameter min OR 4"x4" square plate with International Symbol of Accessibility.
- d. **Maneuvering Clearance:** **Shall comply with Section 11b-404.2.4**

